

Job Name: _____
 Location: _____
 Contact #: _____



Specifications

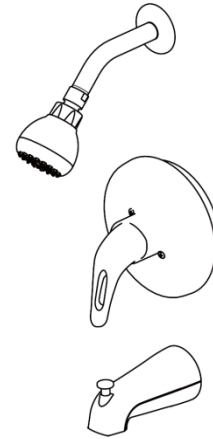
Model

405365- Chrome finish

Euroloop Single Handle T&s Trim Kit

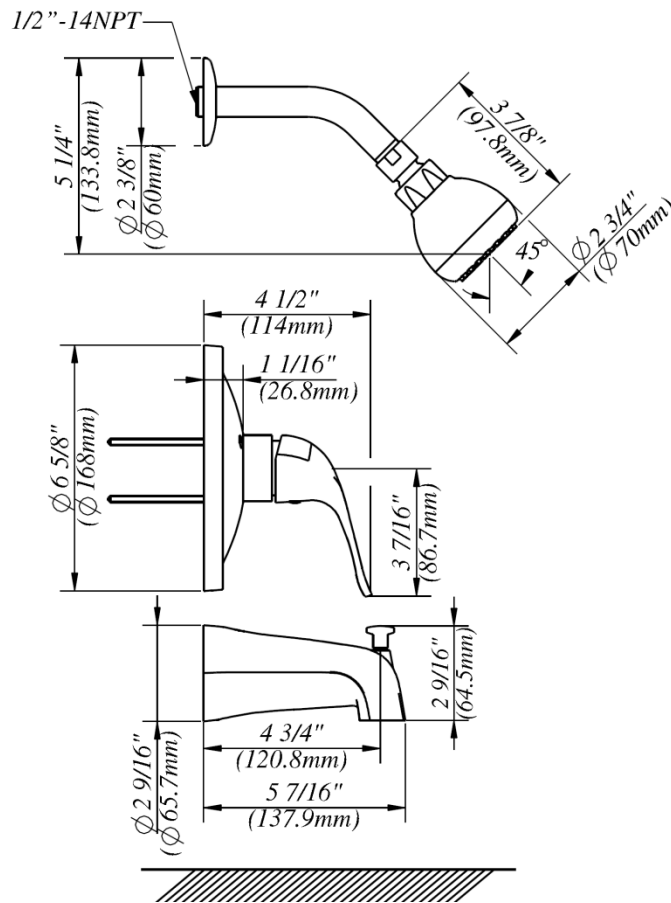
Description

- Matching washerless cartridge A661140
- Zinc spout (non slip fit)
- Metal lever handle
- Ss escutcheon with red/blue mark
- Max. flow rate 2.5 GPM at 80 psi
- 100% factory pressure tested



Standards

- ANSI/ASME A112.18.1M
- IAPMO/cUPC
- ADA



Technical Support

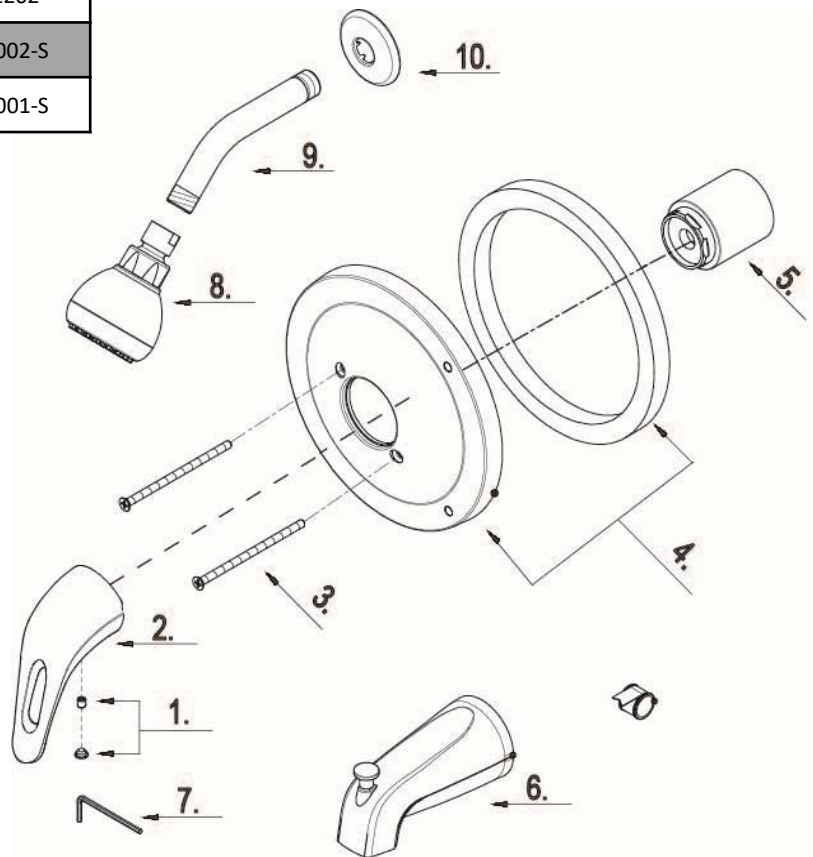
888-328-2383

Manufacturer model#A66F623

Warranty Parts List

Euroloop Single Handle T&s Trim Kit

#	Description	Part #
1	Handle Cap Assembly	A66D569
2	Metal Handle	A029081
3	Screw Set	A608553
4	Escutcheon Assembly	A667103-55
5	Retainer Nut	A103322
6	Tub Spout with Diverter, Slip Fit	A100012
7	Hex Wrench (H2.5 * 19 mm L * 53 mm L)	A031000NI
8	Shower Head	S1211202
9	6" Threaded Shower Arm	A020002-S
10	Showerarm Escutcheon	A019001-S



Technical Support

888-328-2383

Manufacturer model# A66F623